



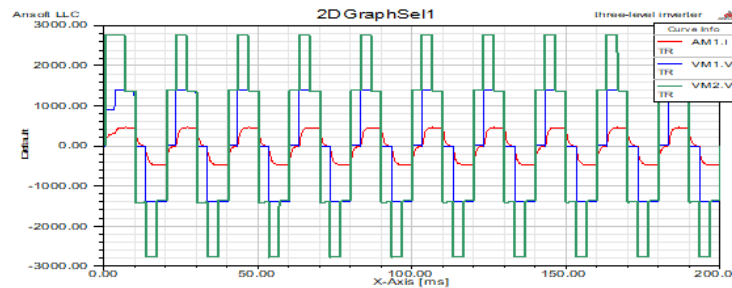
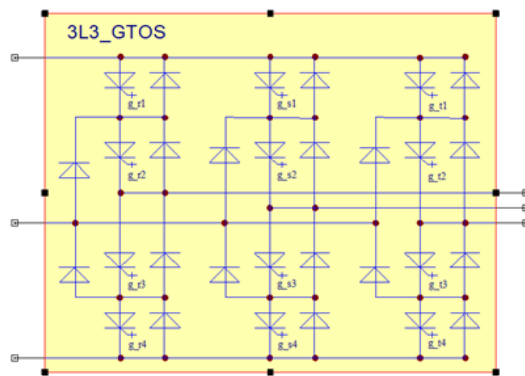
SETHU INSTITUTE OF TECHNOLOGY
 (An Autonomous Institution | Accredited with 'A' Grade by NAAC)
 PULLOOR, KARIAPATTI – 626 115.



DEPARTMENT OF ELECTRICAL AND ELECTRONICS ENGINEERING
Activity Supports Employability/Entrepreneurship/Skill Development

Course Code : 15UEE509
Course Name : Electrical Machine Design Simulation Laboratory
Academic Year : 2020 – 2021 (ODD) Class : III Year

Category	Employability and Skill Development
Activity	Simulation based on Ansys helps to improve the technical knowledge in Machine Design. Hands on experience through Lab experiments improve the programming skills.
Topic	Lab Experiments



Simulation using Ansys

Outcome	Advanced design software helps the students to increase the programming skills and its applications in Electrical machine Design which lead to employability.
----------------	---

C. Shivar

Course Instructor

HoD/EEE